



Commercial High Quality Clocks

Analog Battery/Electric

Distributed/Supported by

Time Access Systems Inc

www.timeaccessinc.com

Toll Free: **1-877-460-9602**

Time Access Systems Inc

PROUDLY SERVING CLIENTS ACROSS NORTH AMERICA

Affordable Time Solutions for:



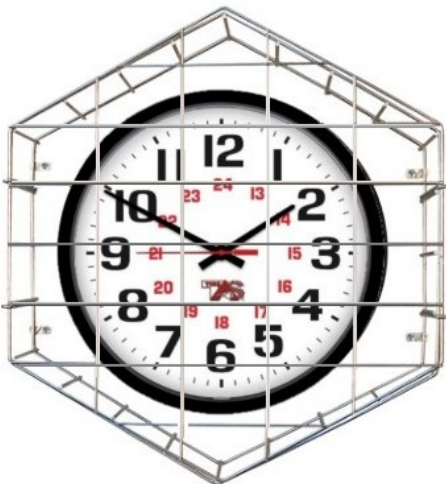
- **SCHOOLS**
- **UNIVERSITIES**
- **COLLEGES**
- **HOSPITALS**
- **MEDICAL CENTERS**
- **COMMERCIAL**
- **INDUSTRIAL**

SLIM-LINE

PRO-LINE

PRO-SET

Quality Clocks



Canada's Leading Supplier of Commercial Clocks

Phone: **(604) 460-8670** - Toll Free: **1-877-460-9602**

www.timeaccessinc.com

INCORPORATED 1991

Time Access Systems Inc.

COMMERCIAL / INSTITUTIONAL BUDGET LINE QUALITY CLOCKS



SLIM-LINE

HIGH QUALITY CLOCKS

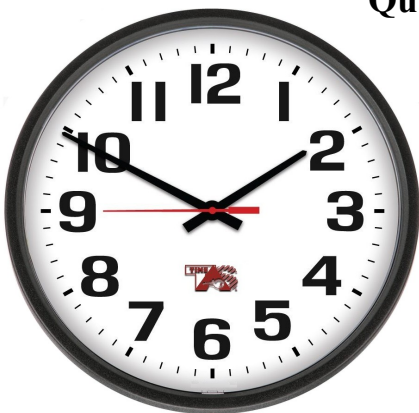
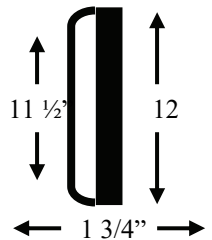
CANADA'S BEST VALUE

CLASS ROOM CLOCKS
AS LOW AS **\$46.95**
1 Year warranty

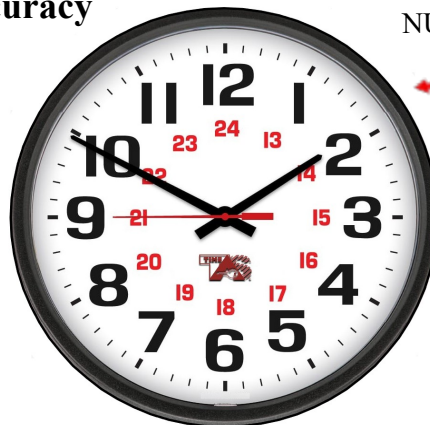
Quartz Accuracy

EASY TO READ
NUMBERS

Model: TAS 6024Q School Clock is the Most Preferred Most by School Boards and Educational Facilities



AS LOW AS
\$46.95
EACH



- *Dial size 11 1/2"
- *Diameter 12"
- *Depth 1 3/4"
- *Weight 1lbs
- *Shipping Weight 1 1/4 lbs
- *Sweep second hand
- *Durable lens / case
- *Precision made
- *Case color black

All measurements are approx

Model: TAS 6012Q
12" Battery Operated
12 hour dial



Model: TAS 6024Q
12" Battery Operated
12/24 hour dial



SPECIAL OFFER

BUDGET SERIES CLOCKS

To all Educational Facilities and Organizations across Canada

Traditional Battery clocks **WHY PAY MORE!**

12 hour or **12/24** hour dials

*Clocks are also available with 110 AC Volt Electric movements

1-20 Units

**Special
Quantity
Discounts
Contact Us**

21-50 Units

51-100 Units

101 or more

SLIM-LINE

Clocks are Also Available in 15" Sizes (12 hr or 24 hr dials)

Model: TAS 6012E

12" Electric 12 hour dial

Model: TAS 6712E

15" Electric 12 hour dial

Model: TAS 6024E

12" Electric **12/24** hr dial

Model: TAS 6724E

15" Electric **12/24** hr dial



DOUBLE FACE CLOCKS
CEILING OR WALL MOUNT

Model: TAS 6712Q-15
15" Battery Operated
12 hour dial



Model: TAS 6724Q-15
15" Battery Operated
12/24 hour dial



Available **SLIM-LINE** Double Dial Clocks Wall or Ceiling Mount

TAS SLIM-LINE Double Dial Clocks Ceiling or Wall Mounting Option Available With Battery or Electric

- Model: TAS-DD/6012Q 12" 12 hour dial battery
- Model: TAS-DD/6024Q 12" 24 hour dial battery
- Model: TAS-DD/6712Q 15" 12 hour dial battery
- Model: TAS-DD/6724Q 15" 12 hour dial battery
- Model: TAS-DD/6012E 12" 12 hour dial electric
- Model: TAS-DD/6024E 12" 24 hour dial electric
- Model: TAS-DD/6712E 15" 12 hour dial electric
- Model: TAS-DD/6724E 15" 24 hour dial electric
- Dial Size: 12" Outside Diameter: 13 7/8" Depth: 5.5"
- Dial Size: 15" Outside Diameter: 17 1/4" Depth: 5.5"



*Please specify wall or ceiling mounting when ordering

SPECIFICATIONS

- Operating voltage: 1.5vdc
- Operating voltage range: 1.3 to 1.7vdc
- Operating temp range: 14°F to 122°F (-10°C to +50°C)
- Accuracy typical: ±1 Sec/Day
- Nominal torque at 1.5vdc: 1.5 g/cm @ second shaft



Surface mount plastic

OUTSIDE DIMENSIONS

SIZE	A	B	C
Surface			
12"	13 1/4"	1/2"	NA
15"	16"	1/2"	NA

Specifications are are approx. and may change with out without notification

TAS Protective Heavy Duty Clock Guards Uniquely Hinged Access for Easy Maintenance of Clocks

The perfect solution for gymnasiums, auditoriums, facilities, hallways or anywhere potential damage can be an issue

Model: 1201 heavy duty clock guard for 12" analog clocks

Guard Dimensions: 15 5/8"H x 15 5/8"W x 4 7/8"D

Model: 1501 heavy duty clock guard for 15" analog clocks

Guard Dimensions: 19 5/8"H x 19 5/8"W x 4 7/8"D

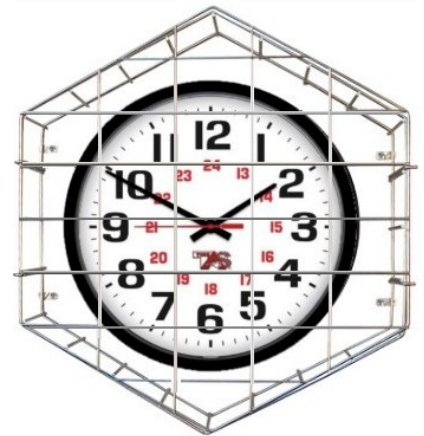
Model: 1801 heavy duty clock guard for 18" analog clocks

Guard Dimensions: 22 5/8"H x 22 5/8"W x 4 7/8"D

Model: 2401 heavy duty clock guard for 24" analog clocks

Guard Dimensions: 24 1/2"H x 24 1/2"W x 5 1/4" D

Secured Protection for Your Valuable Facilities Clocks 24/7



Double Dial Clock Guard

Double Dial Protective Clock Guard

Model: 1201DD-WEB Double Dial guards are often used in hallways where clocks can be damaged by students. Double protection for double sided clocks Available for 12" clocks only!



Pro-Line Commercial Clocks

Pro-Line Quality Battery Operated Analog Clocks With
Available Optional Battery Booster for Up To Five
Years of Maintenance Free Operation!

Silent Sweep Battery Powered Round Wall Clock (Black Plastic, Case SKU:E56BASD304 Silent Sweep Wall Clocks deliver high quality quartz time precision and a continuous, silent sweep motion that is less distracting than a traditional step quartz movement. Easy to install and backed by a 3 year warranty.



12" 12 / 24 Hour Dial
E56BAQD304

15" 12 / 24 Hour Dial
E66BAQD304

FEATURES

- 1 Year Warranty
- Impact-resistant plastic case, with built-in hanger
- Shatter-resistant polycarbonate crystal
- Sweep second hand
- Double dial mounting available
- AA battery movement
- Battery Booster (optional)



Optional Battery
Back Up Booster
Up to 5 + Years of
Clock Operation



12" 12 / 12 Hour Dial
E56BAQD304

15" 12 / 12 Hour Dial
E66BAQD304

GENERAL

The Time Access Systems Pro-Set Slim case battery clocks, with optional Battery Booster, are ideal for schools, hospitals, and state and federal buildings. Clocks are provided in round, high impact black plastic cases with shatter-resistant safety crystal and bold, black numerals and minute markers on a non-yellowing white dial. Stylish hour and minute hands are aluminum with a black finish and a red sweep hand. Optional bezel colors available.

DESCRIPTION

Time Access Systems Pro-Set Series battery clocks use a quartz-based battery movement which uses one AA alkaline battery. The Battery Booster holds six AA alkaline batteries in parallel, which extends maintenance-free clock operating life up to 5 years.

Pro-Line Commercial Line Battery Operated Analog Clocks

ORDERING INFORMATION

Part #

Single Battery

Part #	Description
E56BADD304	12" Round, dial style
E66BADD304	15" Round, dial style
E93BADD204	12" Round, Double dial wall,
E92BADD204	12" Round, Double dial ceiling,
E63BADD204	15" Round, Double dial wall
E62BADD204	15" Round, Double dial ceiling



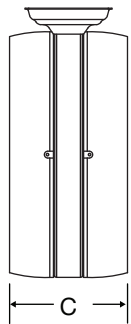
Optional Battery Back Up Booster Up to 5 + Years of Clock Operation



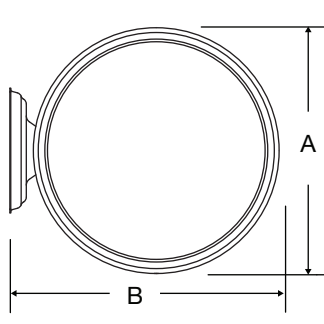
SPECIFICATIONS

Operating voltage: 1.5vdc
 Operating voltage range: 1.3 to 1.7vdc
 Operating temp range: 14°F to 122°F (-10°C to +50°C)
 Accuracy typical: ±1 Sec/Day
 Nominal torque at 1.5vdc: 1.5 g/cm @ second shaft

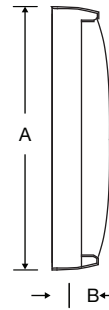
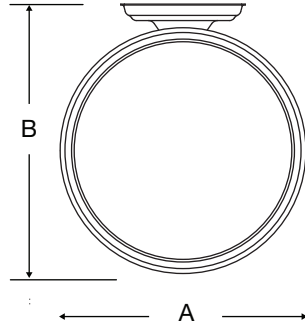
Plastic double dial profile



Wall mount plastic double dial



Ceiling mount plastic double dial



Surface mount plastic

OUTSIDE DIMENSIONS

SIZE	A	B	C
12" Surface	13 1/4"	1/2"	NA
15"	16"	1/2"	NA

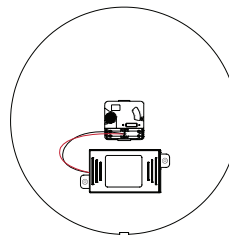
Double Dial Clock Brackets Wall or Ceiling Mount for 12" Clocks

Specifications are are approx. and may change with out without notification

FEATURES

- Uses 6 new AA alkaline batteries
- Life expectancy of 5+ years
- Has mounting tabs to easily replace packs
- One Year Warranty
- Units require 6 AA alkaline batteries for battery operated clocks
- Units provide 1.5 DC operating volts

Optional Battery Booster Pack Kit with Battery Dongle



H004900DKIT

GENERAL

A battery-operated clock typically requires a new battery every year. The Battery Booster holds six AA batteries in parallel. To achieve the greatest product life expectancy, batteries must be of the same chemistry and construction to be able to operate in parallel. When initially installing new batteries in the Battery Booster, it is recommended that all batteries be from the same sealed package and installed at the same time. The environment that the Battery Booster is used in can affect the life of the batteries. Extreme temperature variation can impact the life of the batteries.

DESCRIPTION

The Battery Booster pack has a compact design to fit within the recessed backs of most clocks. The pack is made of black molded plastic with a detachable cover for battery compartment access. The battery dongle that goes into the battery compartment is attached to the battery pack with wires that are 6" long for extended reach. The battery pack has mounting tabs that install onto studs on the back of the clock it will power.

Pro-Set Daylight Saving Clocks

Pro-Set Series Auto Daylight Savings (DST) High Quality Battery Operated Analog Clocks

12" Pro-Set Auto Daylight Saving Time Battery Powered Round Wall Clock (Black Plastic Case Dial 04) SKU: E56BAQD304DST This Pro-Set quartz battery clock from American Time features a clock movement with a microchip that maintains the current date and time. The (DST) movement makes auto Daylight Saving Time (DST) adjustments twice per year for convenience.



12" 12 / 24 Hour Dial
E56BAQD304DST

15" 12 / 24 Hour Dial
E66BAQD304DST



12" 12 / 12 Hour Dial
E56BAQD304DST

15" 12 / 12 Hour Dial
E66BAQD304DST

FEATURES

- 1 Year Warranty
- Automatic adjustment for Daylight Saving Time
- Impact-resistant plastic case, with built-in hanger
- Shatter-resistant polycarbonate crystal
- Sweep second hand
- Double dial mounting available
- AA battery movement
- Battery Booster (optional)

GENERAL

The **Time Access Systems** battery clocks, with optional Battery Booster, are ideal for schools, hospitals, and state and federal buildings. Clocks are provided in a round high-impact black plastic case with shatter-resistant safety crystal and bold, black numerals and minute markers on a non-yellowing white dial. Stylish hour and minute hands are aluminum with a black finish and a red sweep hand. Optional bezel colors available.

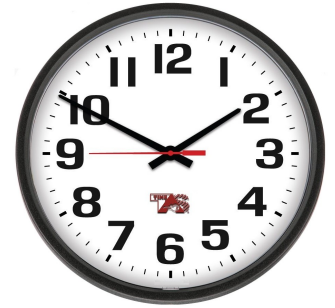
DESCRIPTION

The **Time Access Systems** quartz clock movement features a microchip with an internal battery that keeps track of the current date and time. The microchip is programmed to make the daylight saving time change at 03:00 am Eastern, 02:00 am Central, 01:00 am Mountain and 12:00 Pacific time twice a year. In the Spring, the movement will move the hands forward one hour, at an accelerated speed, to achieve the advance of one hour. In the Fall, the movement will automatically stop moving the hands for one hour and start ticking again when the clock is on time, to adjust back to standard time. Clocks use a quartz-based battery movement which uses one AA alkaline battery. The Clock Battery includes a Booster that holds Three AA batteries which will extend maintenance-free clock operating life of approx. 4 years. **Note:** Time must be manually set at startup and after replacing the batteries. Internal time/date is only used for moving hands for DST changes.

Pro-Set Series Auto Daylight Savings (DST) Battery Clocks

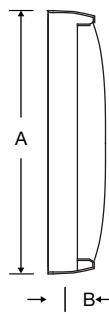
ORDERING INFORMATION

Part #	Description
Stand-Alone	
E56BAQD304DST	12" Rd surface mount
E93BAQD204DST	12" Rd double dial wall mount
E92BAQD204DST	12" Rd double dial ceiling mount
E66BAQD304DST	15" Rd surface mount
E63BAQD204DST	15" Rd double dial wall mount
E62BAQD204DST	15" Rd double dial ceiling mount



SPECIFICATIONS

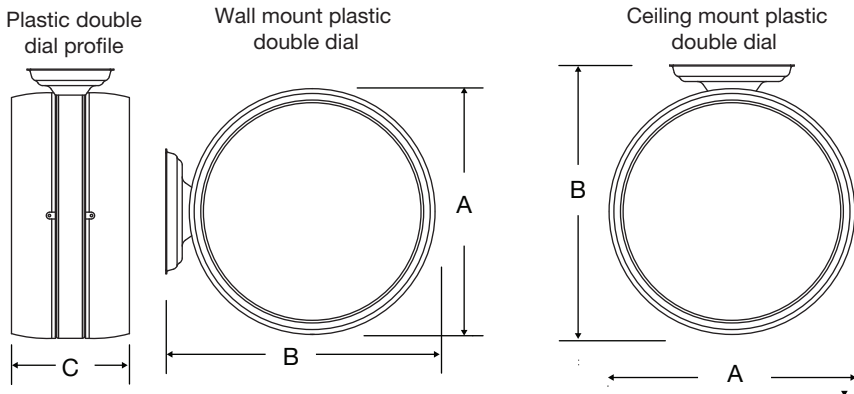
Operating voltage: 1.5vdc
 Operating voltage range: 1.3 to 1.7vdc
 Operating temp range: 14°F to 122°F (-10°C to +50°C)
 Accuracy typical: ±1 Sec/Day
 Nominal torque at 1.5vdc: 1.5 g/cm @ second shaft



Surface mount plastic

OUTSIDE DIMENSIONS

SIZE	A	B	C
Surface			
12"	13 1/4"	1/2"	NA
15"	16"	1/2"	NA



**Double Dial Clock
 Brackets Wall or Ceiling
 Mount for 12" Clocks**

Specifications are are approx. and may change with out without notification

The Pro-Set new Auto Daylight Savings (DST) clock holds 3 AA batteries that boost clock operation approximately up to 4 Years

FEATURES:

- Uses 3 new AA alkaline batteries
- Life expectancy of 5+ years
- Has mounting tabs to easily replace packs
- One Year Warranty
- Units require 3 AA alkaline batteries for battery operated clocks
- Units provide 1.5 DC operating volts



Proudly Distributed by
Time Access Systems Inc

(604) 460-8670 - Toll Free: 1 877 460-9602

www.timeaccessinc.com