

Time Access Systems Inc.



Multiple Counter
Take a Number
Systems

Next-Please!

Proudly Distributed/Supported by

Time Access Systems Inc

Phone: (604) 460-8670 - Toll Free: 1 877 460-9602

Next-Please! High Quality Queuing and Wait Line Solutions

Next-Please!

Multiple Service Window
Take a Number Systems



High Quality
North American
Built Queue
Display Systems



Information Brochure with Pricing

Provide Your Customer & Clients With The Comfort of Knowing They Will be Served Next!

A **Multi-Counter System** involves alerting people from a waiting lobby or waiting area to multiple service windows. The multiple counter alerting system is a visual display that directs your customers and clients to their appropriate service window when their ticket number is signaled with a beep-beep and is displayed on the waiting area digital multi-counter display.

www.timeaccessinc.com

Next-Please! Solutions For Wait Rooms With Multiple Service Counters



Next-Please! Offers an affordable queuing solutions for waiting rooms and wait areas with multiple service counters for making it easy for patients and clients when they arrive to obtain a queue ticket with their queue number and relax in the waiting area while waiting for their number to be signaled on the multi-counter display and indicating what counter their queue wait number will be served. With a variety of ticket options and large easy to read displays, Your clients and patients will appreciate the convenience of your organization using an easy to use queuing system with organized and controlled wait times The Next-Please! queuing systems are economically priced and easy to set up and are user friendly



Model NP-DSP504BNSW2 with 2 Digit Now Serving



Model NP-DSP505BNSW3 with 3 Digit Now Serving

Next-Please!

High Quality Queuing Systems for All Sorts of Wait Room and Wait Area Applications

The **Model NS-DSP504BNSW2** 2-digit or **Model NS-DSP505BNSW3** 3-digit system are available for all multiple counter applications. Our high quality digital displays can be ordered to accommodate from two to eight service counters. Systems are easy to set up! The displays are placed in the waiting wait area, each service counter would have their own push button remote to control the display system in the waiting area. When the remote button is pushed the display will indicate the next serving number and the available service counter

Next-Please! High Quality Multi-Counter Queuing Systems



Your customers / clients will always be served faster and in the order in when they arrived with a Take a Number System. Your Customers can relax without having to compete for service when you use a take number system. With a variety of ticket options and large easy to read digital displays, The Next-Please! Take A Number System are economically priced & easy to set up and are user friendly

Please contact us for special pricing



The System Displays The Window Number And The Next Client To Be Served

Easy Installation and Set Up

Next-Please! high quality queuing systems are available for all wait rooms and wait area multiple counter applications our digital displays can accommodate from two to eight service counters

The **Model NS-DSP504BNSW2 2 digit** or **Model NS-DSP505BNSW3 3 digit** system is available for multiple counter applications. Our displays can be ordered to accommodate from four to eight service counters. The system is easy to set up! The displays are placed in the waiting area, each counter would have their own push button remote to control the display system in the waiting room area. When the remote button is pushed the display will indicate the next serving number and the available counter

Next-Please! Two Digit Display Systems Pricing

Model NP-DSP504BNSW2



Available Multi Counter Systems

- Two Counter System
- Four Counter System
- Six Counter System
- Eight Counter System

*Systems Include Power Supply, Counter Push Buttons, Interface Control Module

- Three Counter System
- Five Counter System
- Seven Counter System

Model NP-DSP505BNSW3



Next-Please! Three Digit Display Systems Pricing

Available Multi Counter Systems

- Two Counter System
- Four Counter System
- Six Counter System
- Eight Counter System

*Systems Include Power Supply, Counter Push Buttons, Interface Control Module

- Three Counter System
- Five Counter System
- Seven Counter System

Optional Additional Expansion Displays for Large Multiple Display Applications



2 Digit Display



2 Digit Display



All The Display Systems Include Power Supply, Counter Push Buttons, Interface Control Module, Set up Instructions **NOTE** Wiring and Installation Should Be Done By a Qualified Electrician or Service Technician



Next-Please! Quality Multi-Counter Queuing Systems



Optional Items and Accessories for Multi-Counter Systems



SG-0700
2 Digit Ticket
Dispenser



**Optional Heavy
Duty Floor Stand**
(without Sign &
Dispenser)



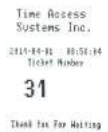
**5 Roll Pack of
Tickets**
(3000 per roll)



**Easy-Print Electronic
Budget series Ticket
Printers** See page 6
for more Info & Pricing



**Tickets print with
Date and Time**



**Optional Metal
Counter Stand**
(without Sign &
Dispenser)



Additional 2 Digit Expansion display



Additional 3 Digit Expansion display



**Ticket printer
ticket paper
rolls..20 roll pack**

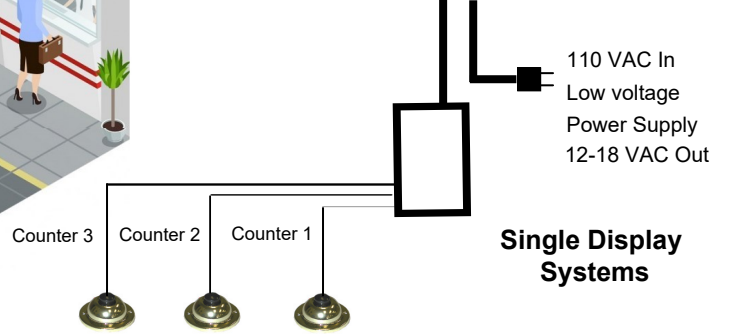
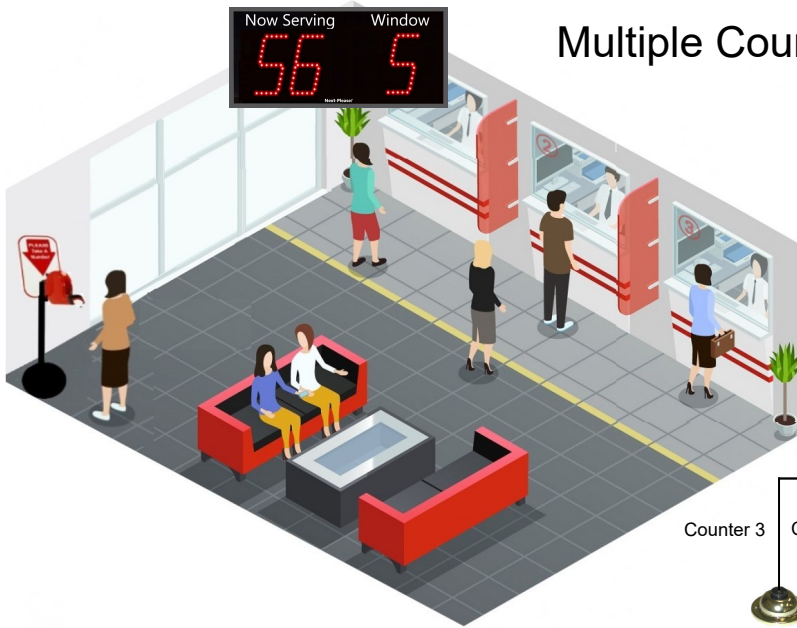
Specifications:

- Models **NP-DSP504BNSW2** & **NP-DSP505BNSW3** 2 / 3 Digit
 - Two RJ45 modular connectors for RS422 serial data transmission and reception
 - Two RJ11 modular connectors for accessories
 - RJ11 modular connector for remote start, stop and reset inputs
 - Power connector (2.1 x 5.5mm)
 - Test button for testing and configuration
 - Power 110 vac Adapter -10-15 vac
 - Current consumption: 100mA maximum per digit
- Dimensions: 22.5" x 9" x 2.5" Weight: 6.2 lbs**

Description:

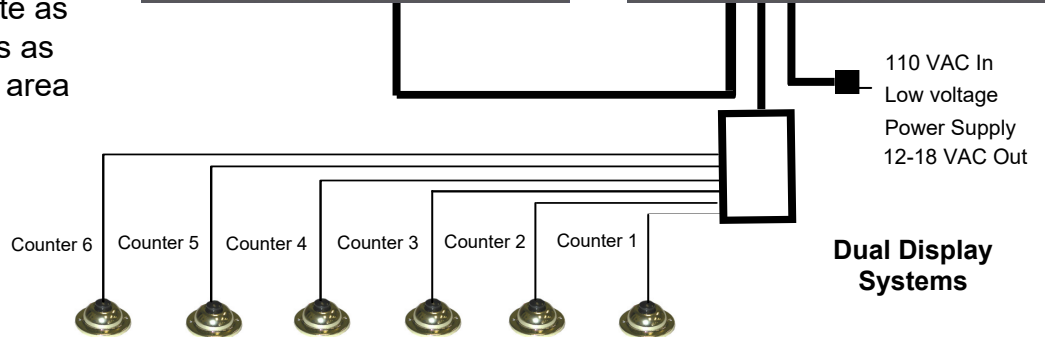
- 3 or 4 Digit Take A Number Display, 5 inch high digits, Red LED's, Metal frame, "Now Serving" and "Window" Labels
- Construction: Metal enclosure, black powder coated finish with transparent red acrylic front.
 - Standard mounting is 2 key hole slots spaced 16 inches apart for wall mounting.
 - There are screws at either end of the displays where D Rings can be added. D-Rings are NOT included and may be ordered separately

Multiple Counter Display Configurations

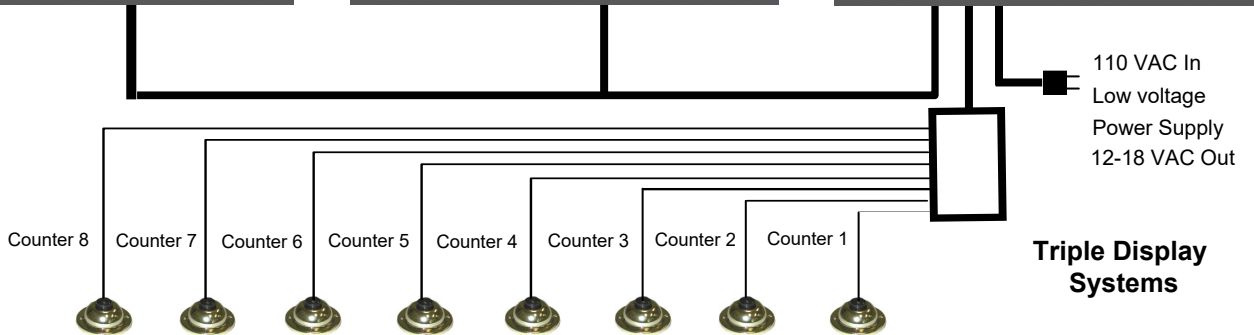


Single Display Systems

Next-Please! multiple counter digital displays systems can be configured to handle multiple all counter applications from two to eight service multi counters. the system can accommodate as many expansion displays as required for your waiting area size and applications



Dual Display Systems



Triple Display Systems

NOTE: Wiring and Installation for Next-Please! Multi-Counter Systems Should Be Done By a Qualified Electrician or Service Technician

Next-Please!

Easy-Print Budget Series Light Duty Electronic Queue Ticket Printing Issuing System With Time and Date

The Easy-Print budget series electronic ticketing printing system prints the ticket number, time and date on the ticket with the push of a button allowing your customers to feel that much more confident that they will be served more accordingly. The printer can be purchased with any of our take a number queuing displays as a complete packaged system or alone



Specifications:

Item: Budget Series Easy-Print K-TP Printer

Electrical: 12 V / 110-120 VAC

Dimensions: 20 x 12 x 11.5 cm **Weight:** 8.5 lbs

Features:

- Convenience is important to most people. This gives you an advantage as Easy-Print Printers are easy to use
- Printers has a one button operation
- Tickets are clearly printed with right sequence ticket number and **Time and Date**
- Easy to reload thermal paper ticket roll
- One year limited warranty

Easy-Print Ticket System

Easy Installation and Set Up



Easy-Print Budget series Printer Upgrade Option

Upgrade your new queuing system to the all new Easy-Print electronic take a number ticket number system The printer prints out **Welcome, Now Serving Number, and Time and Date**. The upgrade option includes 1 x Easy-Print budget series printer, 5 x thermo ticket rolls approx. 1000 tickets,



For More Information Please Contact Us



Distributed and Supported by
Time Access System Inc
 Phone (604) 460-8670 Toll Free 1-877-460-9602
www.timeaccessinc.com

Next-Please!

Quality Queuing
 Systems

Incorporated 1991 Over 25 years of Excellence