



R-2000

RFID Ultra Long Range Serial and Weigand Readers

Ultra Long Range, Hands-free RFID Readers For Vehicle, Asset and Personnel Tracking



R-2000 Reader (Shown in a 2NEM Enclosure)

The R-2000 Series Ultra Long Range RFID Reader detects and decodes RF transmitted signals from 1st Choice Tags.

R-2000 Series Readers can connect to third party software systems using RS232/RS422 and/or connect to any Access Control System using Weigand protocol.

Tags and Readers provide an accurate and real-time ability to detect, track, control and monitor vehicles, assets and personnel. This dynamic technology can be applied to operations and processes in all types of industries

Features

- Adjustable read range: 1'-600' with standard Antennas-longer range with special Antennas
- R-2000 includes RS422 multi-drop connection in serial network mode
- R-2000 outputs Wiegand 26/32 bit for direct connection to Access Control Systems and serial RS-232/422 for custom software solutions
- R-2000 includes adjustable Weigand multi-tag buffering for use with Access Control Systems
- Reader status indication LEDs
- Plug-in tool kit for field programming and adjustments
- Simultaneous multiple Tag read capability
- Both Omni-Directional and Directional Antennas are available
- PROTRAC Dynamic Tag Tracking
- Secure encrypted transmission between Tags and Readers

Affordable RFID Solutions

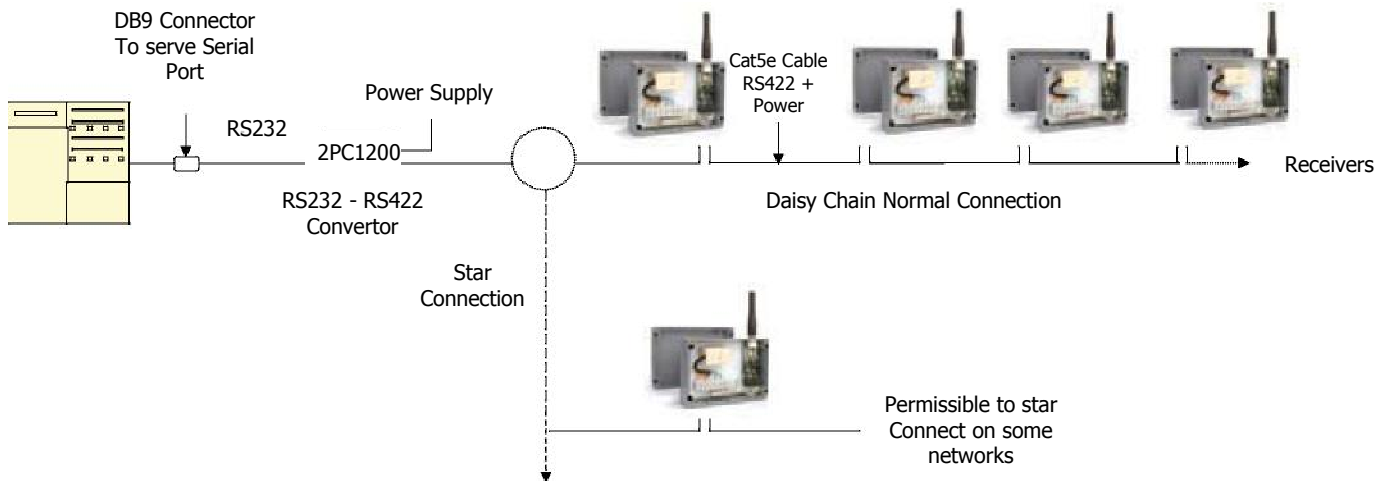
www.timeaccessinc.com



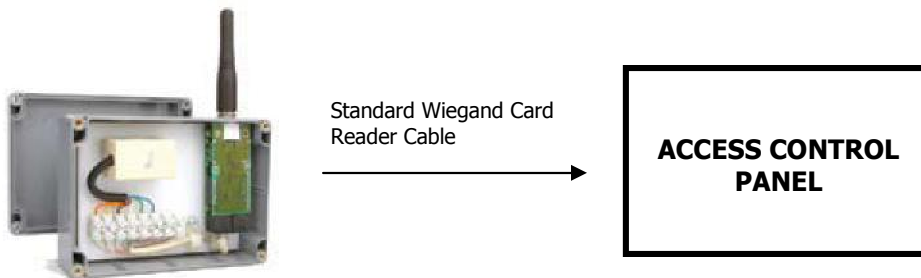
R-2000

RFID Ultra Long Range Serial and Weigand Readers

R-2000 Basic Serial Configuration



R-2000 Basic Wiegand Configuration



RFID Applications

- Transportation
- Mining
- Emergency Evacuation
- Supply Chain
- Petrochemical
- Healthcare
- Manufacturing
- Law Enforcement
- Casino Facilities
- Gated Communities
- Education

R-2000 Reader Specifications

RX Frequency.....433.92 Mhz
 RF Input.....BNC (Female)
 Sensitivity.....-103 dBm
 Bandwidth.....700kHz

Operational Temperature....-40° to 140°F
 Size.....4.3" x 2.4" x .86"
 Weight.....1.2oz
 Max Current.....60mA
 Supply Voltage.....8.5 - 24VDC

For More Information or Pricing Please Contact Us



Distributed and Supported by
Time Access System Inc
 Phone (604) 460-8670 Toll Free 1-877-460-9602
 www.timeaccessinc.com

